

AFTERCARE INSTRUCTIONS

This product has a durable electroplated finish. However, it should still be treated with care to ensure its longevity.

Do not scrub or use abrasive cleaning materials. Clean regularly with a damp cloth and soapy water only.

Do not use bleach or cleaners containing bleach.

CUSTOMER SERVICE

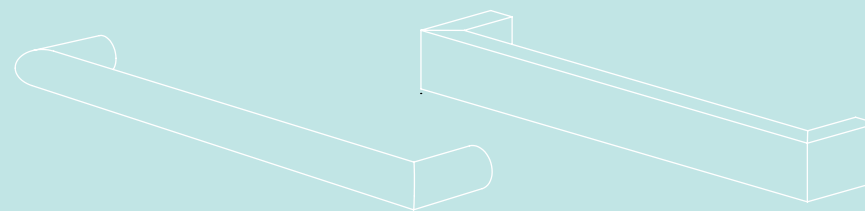
t: +44(0)208 686 5100
e: technical@saneux.com

4 Imperial Way
Croydon CR0 4RR

www.saneux.com

TEMPUS

INSTALLATION INSTRUCTIONS

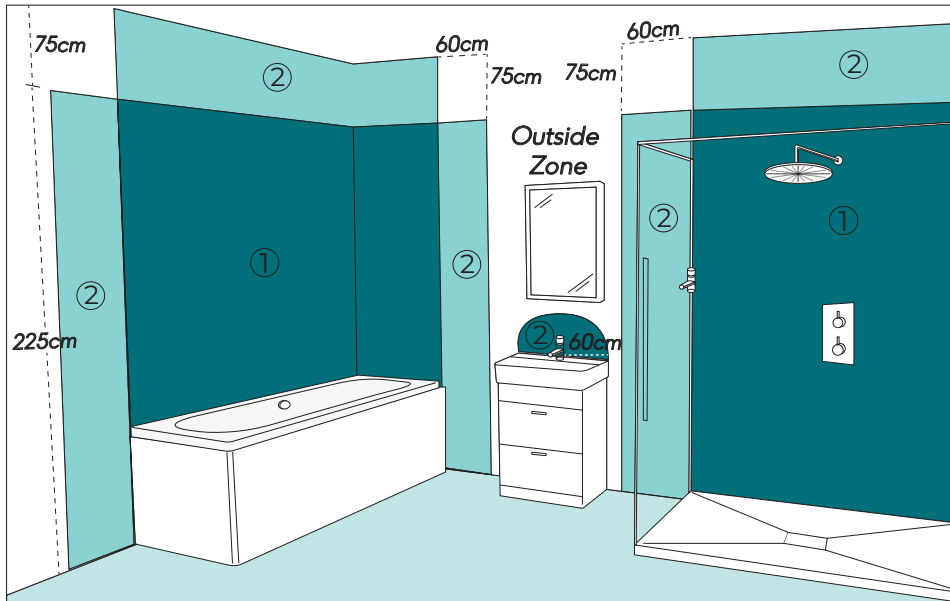


TE-7210 / TE-7212 / TE-7213 / TE-7214

saneux

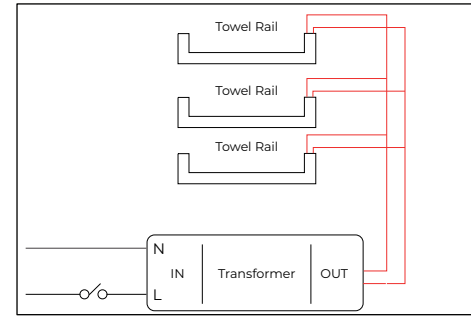
IMPORTANT

Ensure the electrical supply is switched off at the mains before installation and maintenance.
 The fixings supplied are for solid walls. For hollow or stud walls use specialist fixings. Before drilling ensure that there are no hidden cables or pipes in the wall.
 This product has a special protection against the ingress of moisture and is manufactured to meet IP44 Standards.
 This product is suitable for use in zone 2 and the outside zones of bathroom. See diagram. It is recommended that this product is installed by a qualified electrician and is wired according to IET wiring regulations.



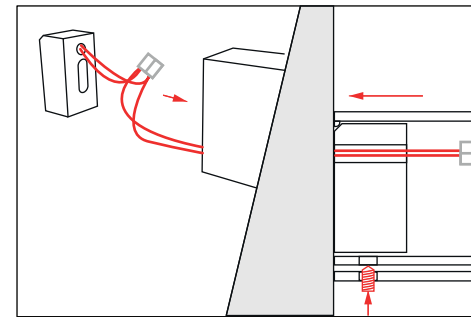
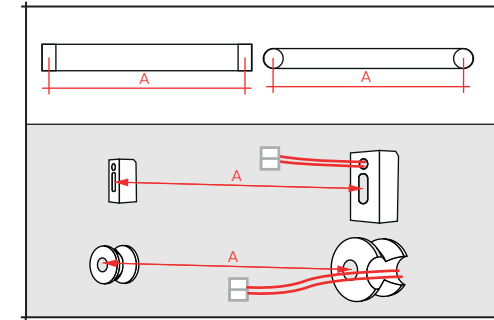
TRANSFORMER REQUIREMENTS

These rails are manufactured for installation with a 15V Transformer.
 Towel rails on a 15V, 60W transformer will provide a surface temperature of approx. 40°C, increasing to approx. 50°C when a towel is placed on the rails.
 We recommend that the towel rails are not switched on for a period exceeding 12 hours.
 We recommend that installation allows access to the transformer for service and repairs.



Up to 3 rails can be run from 1 x 60W (VA) transformer, as per diagram. Make all electrical preparations behind the wall prior to installing the towel rails.

Measure distance A and mark the position of the fixing blocks on the wall, ensuring they are level. Make sure that the wires are exposed and prepared with connector block.



Push the connector block into the rail and push the rail to the fixing blocks, placing the small metal plate inside the rail so that the holes align. Tighten the grub screw from under the towel rail, ensuring the rail is firmly secured to the wall and that the wires are not snagged.

Note:
 If there is a concern that water may enter into the wall cavity, neutral cure silicone sealant may be applied around the cable where it exits the wall lining